



Characteristics



- Self-supporting casing construction made of galvanized steel plate, finished in structural epoxy-polyester painting white colour RAL9016 as standard. Other colours are available on request.
- Micro-perforated inlet grille with filter functions and easy service. It does not need prefilter.
- Anodized aluminium outlet vanes, airfoil shaped.
- Low noise twisted cross-flow fans driven by a 2-speed external rotor motor.
- "P" type with water heated coil. "E" type with electrical shielded elements, two stages with integrated regulation. "A" type without heating, air only.
- Includes Plug&Play control with 7m RJ45 cable and infrared remote control. Optional: Clever control (programmable, automatic, intelligent, energy saving, Modbus RTU for BMS...).

Specifications

AIR ONLY

Model	Airflow m ³ /h	Power Fans 230V-50Hz W	Current Fans 230V-50Hz A	Noise Level (5 m) dB(A)	Weight kg
OPT 1000 A	1500	80	0,41	35/50	17,5
OPT 1500 A	2150	117	0,53	36/51	25,5
OPT 2000 A	2900	160	0,82	38/53	33

WATER HEATED P86

Model	Airflow m ³ /h	Heating capacity 80/60°C kW	Water Drop Pressure Pa	Power Fans 230V-50Hz W	Current Fans 230V-50Hz A	Noise Level (5 m) dB(A)	Weight kg
OPT 1000 P	1400	8,2	7090	80	0,41	37/51	20,5
OPT 1500 P	2100	12,7	7200	117	0,53	38/52	27,5
OPT 2000 P	2750	16,7	6550	160	0,82	40/54	37,5

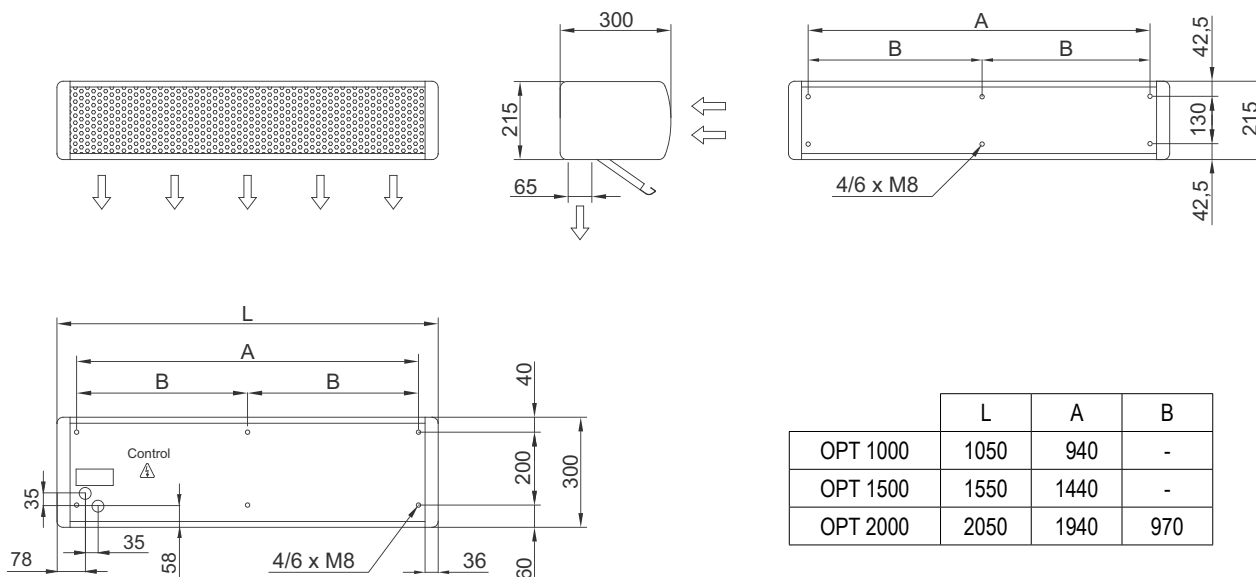
ELECTRICAL HEATED

Model	Airflow m ³ /h	Electrical Heating Capacity (*) kW	Electrical Heating Voltage V	Electrical Heating Current A	Power Fans 230V-50Hz W	Current Fans 230V-50Hz A	Noise Level (5 m) dB(A)	Weight kg
OPT 1000 E	1500	4/6	400Vx3	5,8/8,7	80	0,41	35/50	20,5
OPT 1000 E-9	1500	6/9	400Vx3	8,7/13	80	0,41	35/50	21,5
OPT 1000 E230	1500	3,8/5,6	230Vx1	16,5/24,5	80	0,41	35/50	20,5
OPT 1500 E	2150	6/9	400Vx3	8,7/13	117	0,53	36/51	27,5
OPT 1500 E230-6	2150	3,8/5,6	230Vx1	16,5/24,5	117	0,53	36/51	27,5
OPT 1500 E230-9	2150	6/9	230Vx1	26/39,1	117	0,53	36/51	27,5
OPT 2000 E	2900	5,6/11,3	400Vx3	8,1/16,3	160	0,82	38/53	42
OPT 2000 E230	2900	5,6/11,3	230Vx1	24,5/49,1	160	0,82	38/53	42

Water heated: connection pipes 1/2" female. 2 rows coil.

(*) Under request other electrical heating capacities may be supplied.

Dimensions



	L	A	B
OPT 1000	1050	940	-
OPT 1500	1550	1440	-
OPT 2000	2050	1940	970